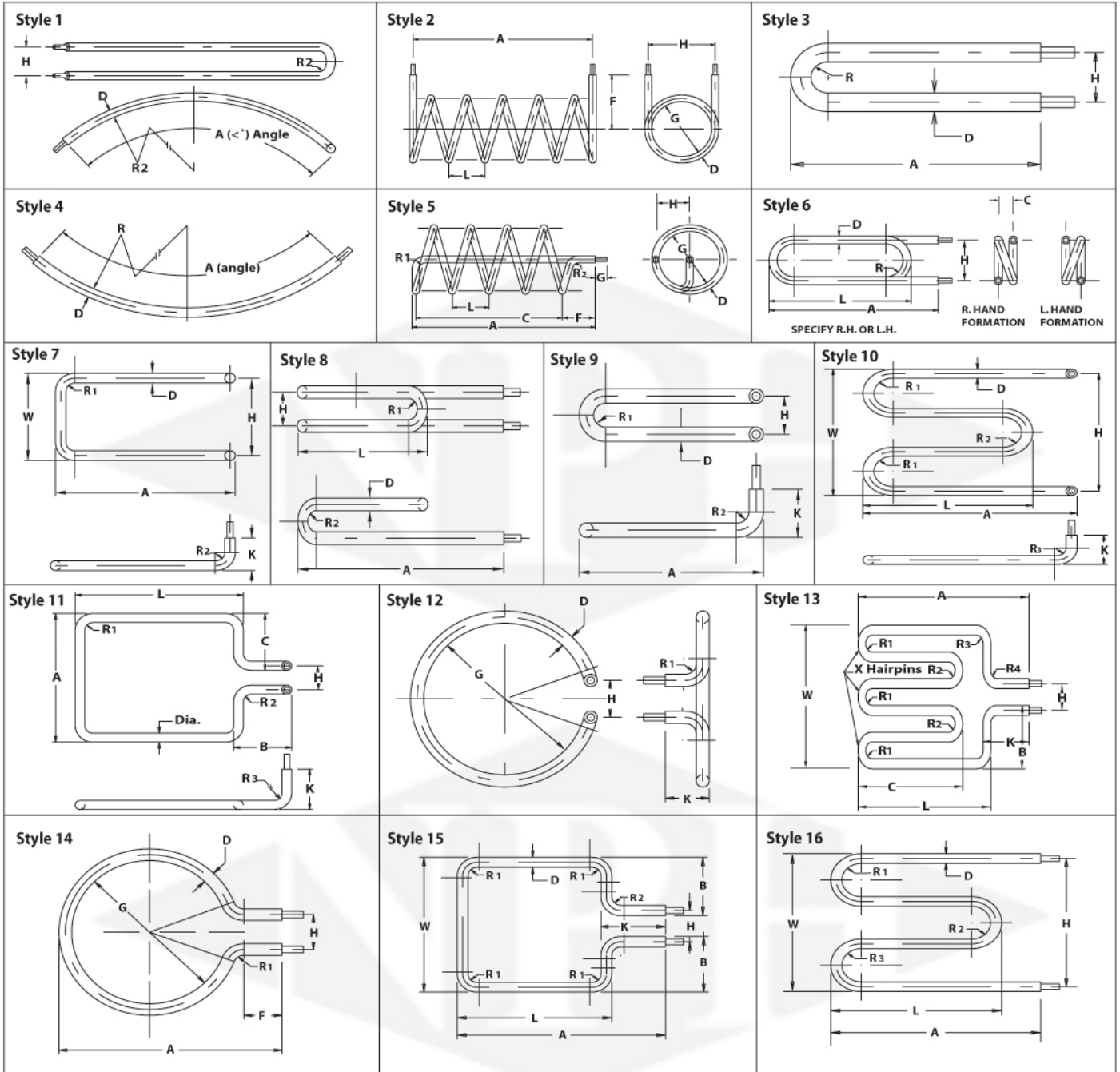


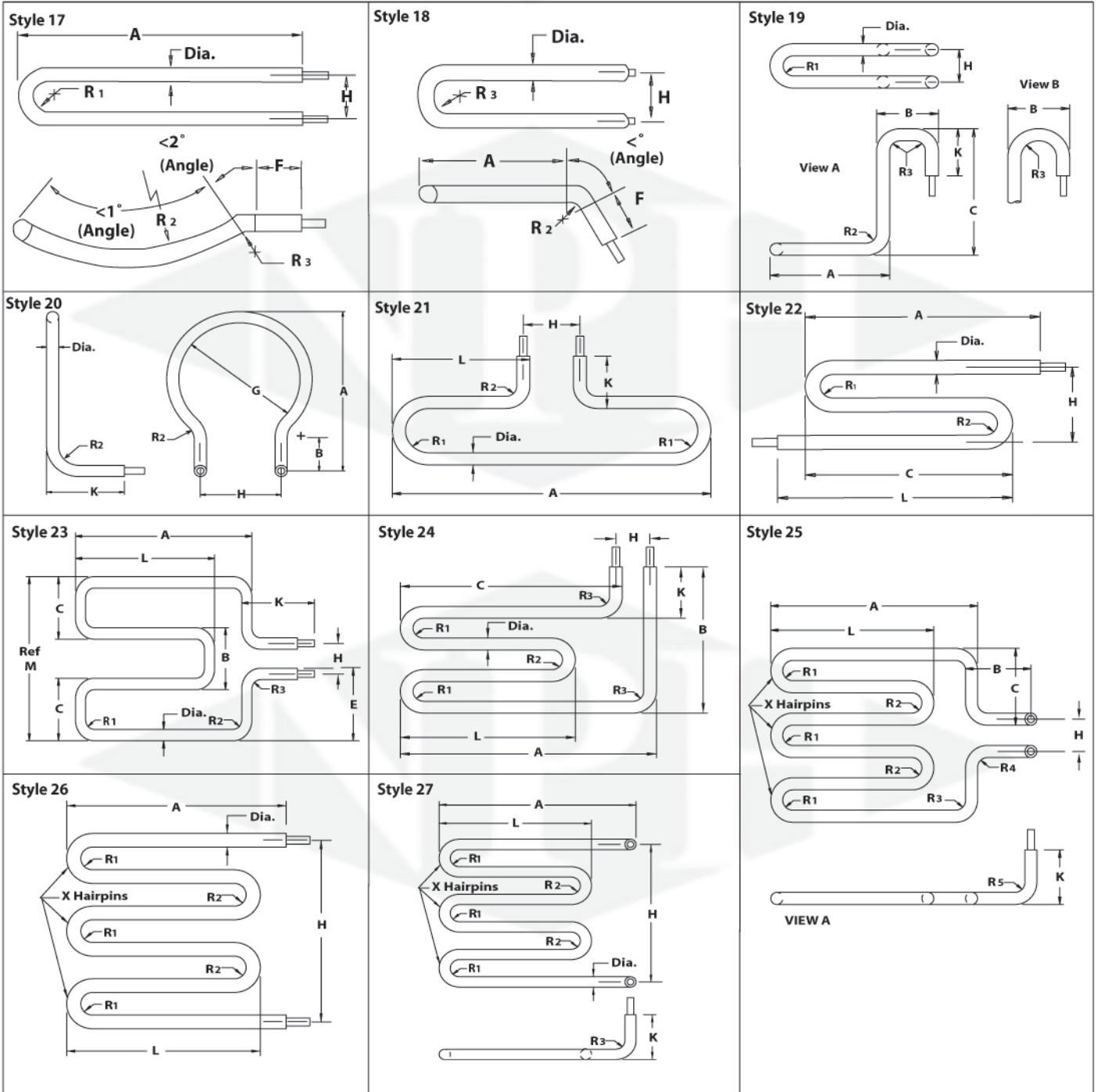


# National Plastic Heater

## TYPICAL BEND FORMATIONS

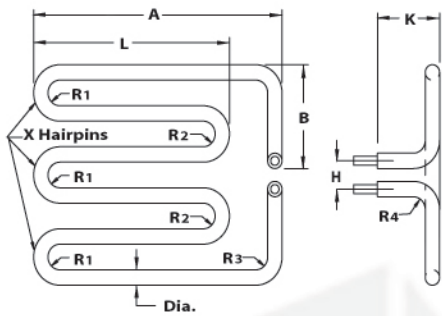


# TYPICAL BEND FORMATIONS

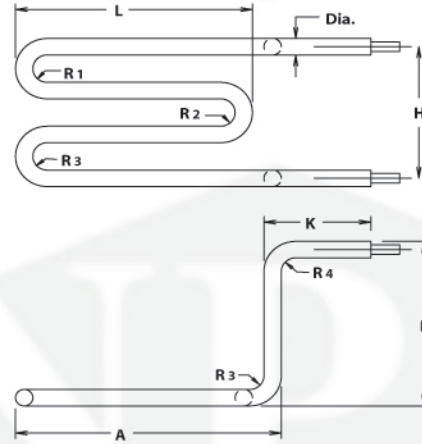


# TYPICAL BEND FORMATIONS

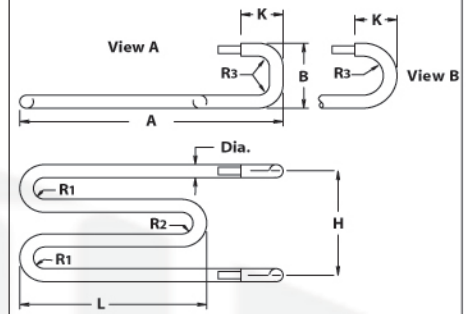
Style 28



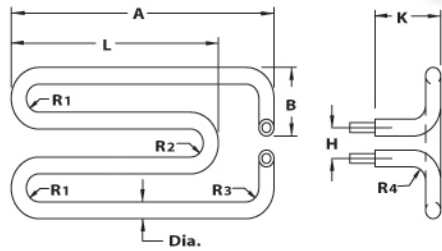
Style 29



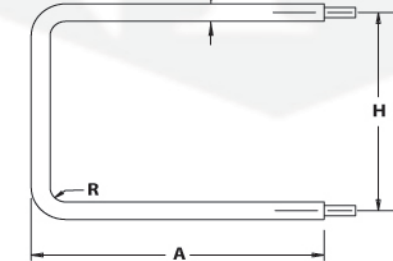
Style 30



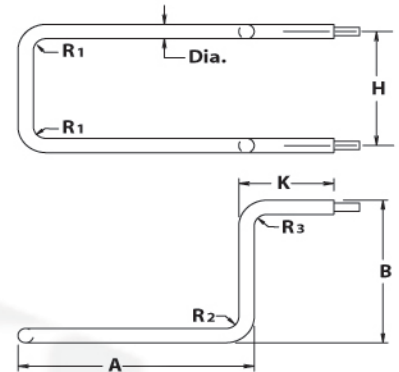
Style 31



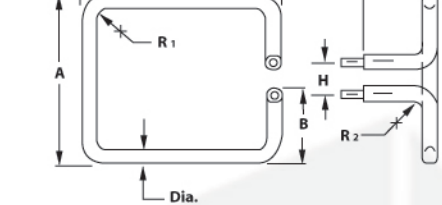
Style 32



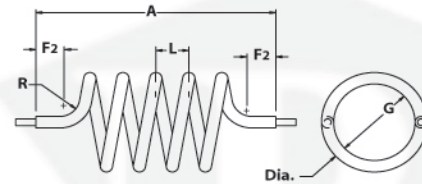
Style 33



Style 34



Style 35



Style 36

